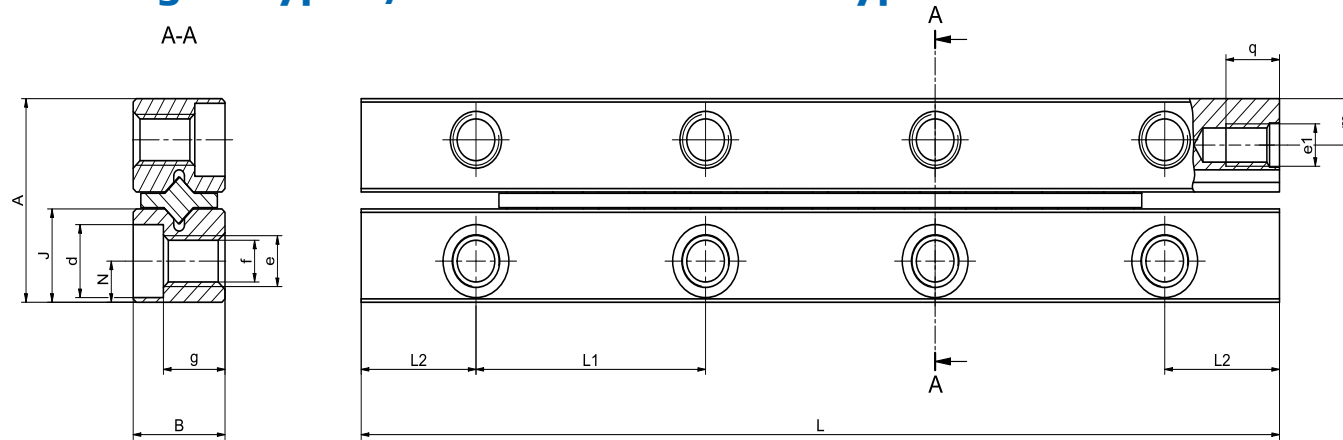


# Linearführungen Typ R / Linear Guide Rails Type R



| Modelcode | L (mm) | Gewicht / weight (g) | A (mm) | B (mm) | Dw (mm) | J (mm) | L1 (mm) | L2 (mm) | N (mm) | d (mm) | e  | e1   | f (mm) | g (mm) | m (mm) | q (mm) |
|-----------|--------|----------------------|--------|--------|---------|--------|---------|---------|--------|--------|----|------|--------|--------|--------|--------|
| R 1-020   | 20     | 3                    | 8.5    | 4      | 1.5     | 3.9    | 10      | 5       | 1.8    | 3      | M2 | M1.7 | 1.65   | 2.6    | 1.9    | 2.5    |
| R 1-030   | 30     | 4                    |        |        |         |        |         |         |        |        |    |      |        |        |        |        |
| R 1-040   | 40     | 5                    |        |        |         |        |         |         |        |        |    |      |        |        |        |        |
| R 1-050   | 50     | 6                    |        |        |         |        |         |         |        |        |    |      |        |        |        |        |
| R 1-060   | 60     | 7                    |        |        |         |        |         |         |        |        |    |      |        |        |        |        |
| R 1-070   | 70     | 8                    |        |        |         |        |         |         |        |        |    |      |        |        |        |        |
| R 1-080   | 80     | 9                    |        |        |         |        |         |         |        |        |    |      |        |        |        |        |
| R 1-100   | 100    | 12                   |        |        |         |        |         |         |        |        |    |      |        |        |        |        |
| R 1-120   | 120    | 14                   |        |        |         |        |         |         |        |        |    |      |        |        |        |        |
| R 2-030   | 30     | 8                    |        |        |         |        |         |         |        |        |    |      |        |        |        |        |
| R 2-045   | 45     | 11                   |        |        |         |        |         |         |        |        |    |      |        |        |        |        |
| R 2-060   | 60     | 14                   |        |        |         |        |         |         |        |        |    |      |        |        |        |        |
| R 2-075   | 75     | 17                   |        |        |         |        |         |         |        |        |    |      |        |        |        |        |
| R 2-090   | 90     | 20                   |        |        |         |        |         |         |        |        |    |      |        |        |        |        |
| R 2-105   | 105    | 23                   |        |        |         |        |         |         |        |        |    |      |        |        |        |        |
| R 2-120   | 120    | 26                   |        |        |         |        |         |         |        |        |    |      |        |        |        |        |
| R 2-150   | 150    | 34                   |        |        |         |        |         |         |        |        |    |      |        |        |        |        |
| R 2-180   | 180    | 40                   |        |        |         |        |         |         |        |        |    |      |        |        |        |        |
| R 3-050   | 50     | 23                   | 18     | 8      | 3       | 8.2    | 25      | 12.5    | 3.5    | 6      | M4 | M3   | 3.3    | 4.8    | 4.1    | 7      |
| R 3-075   | 75     | 34                   |        |        |         |        |         |         |        |        |    |      |        |        |        |        |
| R 3-100   | 100    | 45                   |        |        |         |        |         |         |        |        |    |      |        |        |        |        |
| R 3-125   | 125    | 56                   |        |        |         |        |         |         |        |        |    |      |        |        |        |        |
| R 3-150   | 150    | 67                   |        |        |         |        |         |         |        |        |    |      |        |        |        |        |
| R 3-175   | 175    | 78                   |        |        |         |        |         |         |        |        |    |      |        |        |        |        |
| R 3-200   | 200    | 89                   |        |        |         |        |         |         |        |        |    |      |        |        |        |        |
| R 3-225   | 225    | 100                  |        |        |         |        |         |         |        |        |    |      |        |        |        |        |
| R 3-250   | 250    | 111                  |        |        |         |        |         |         |        |        |    |      |        |        |        |        |
| R 3-275   | 275    | 122                  |        |        |         |        |         |         |        |        |    |      |        |        |        |        |
| R 3-300   | 300    | 133                  |        |        |         |        |         |         |        |        |    |      |        |        |        |        |
| R 3-350   | 350    | 156                  |        |        |         |        |         |         |        |        |    |      |        |        |        |        |
| R 3-400   | 400    | 178                  |        |        |         |        |         |         |        |        |    |      |        |        |        |        |
| R 6-100   | 100    | 145                  | 31     | 15     | 6       | 13.9   | 50      | 25      | 6      | 9.5    | M6 | M5   | 5.2    | 9.8    | 6.9    | 9      |
| R 6-150   | 150    | 220                  |        |        |         |        |         |         |        |        |    |      |        |        |        |        |
| R 6-200   | 200    | 295                  |        |        |         |        |         |         |        |        |    |      |        |        |        |        |
| R 6-250   | 250    | 370                  |        |        |         |        |         |         |        |        |    |      |        |        |        |        |
| R 6-300   | 300    | 445                  |        |        |         |        |         |         |        |        |    |      |        |        |        |        |
| R 6-350   | 350    | 520                  |        |        |         |        |         |         |        |        |    |      |        |        |        |        |
| R 6-400   | 400    | 595                  |        |        |         |        |         |         |        |        |    |      |        |        |        |        |
| R 6-450   | 450    | 670                  |        |        |         |        |         |         |        |        |    |      |        |        |        |        |
| R 6-500   | 500    | 745                  |        |        |         |        |         |         |        |        |    |      |        |        |        |        |
| R 6-600   | 600    | 895                  |        |        |         |        |         |         |        |        |    |      |        |        |        |        |
| R 6-700   | 700    | 1045                 |        |        |         |        |         |         |        |        |    |      |        |        |        |        |
| R 6-800   | 800    | 1195                 |        |        |         |        |         |         |        |        |    |      |        |        |        |        |
| R 6-1000  | 1000   | 1500                 |        |        |         |        |         |         |        |        |    |      |        |        |        |        |

**Optionen**

| Qualitätsklassen | Parallelität der Laufflächen (L=200mm)       |
|------------------|--|
| -                | Standard / Standard                          |
| <b>SQ</b>        | Spezialqualität / Special Quality            |
| <b>SSQ</b>       | Superspezialqualität / Super Special Quality |

|           |   |
|-----------|---|
| <b>EG</b> | Einläufe geschliffen / Run-ins rounded    |
| <b>ZG</b> | Zusammengeschliffen (2 mcr) Multi-part    |
| <b>HA</b> | Höhenabgestimmt (10 mcr) / Height-matched |

|           |  |
|-----------|--|
| <b>RF</b> | Rostfreier Edelstahl / Stainless Steel |
|           |  |
|           |  |