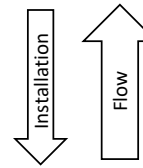
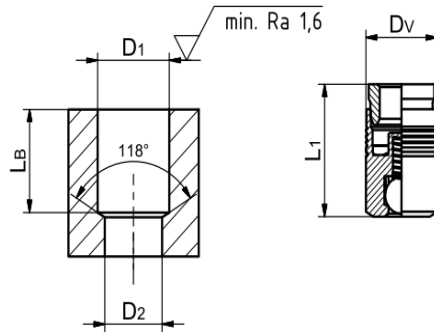




## DATA SHEET REVERSE FLOW CHECK VALVE

### FR080Z014

### Dimensions



#### Bore Hole

		mm
D1	Hole Diameter Down Stream	8.15+/-0.05
D2	Hole Diameter Up Stream	6.6
LB	Min. Hole Length Downstream	10.62

#### Valve

		mm
DV	Valve Diam.	7.97+/-0.02
L1	Length Pin pre-assembled	12.9
L2	Length installed	10.62+/-0.05

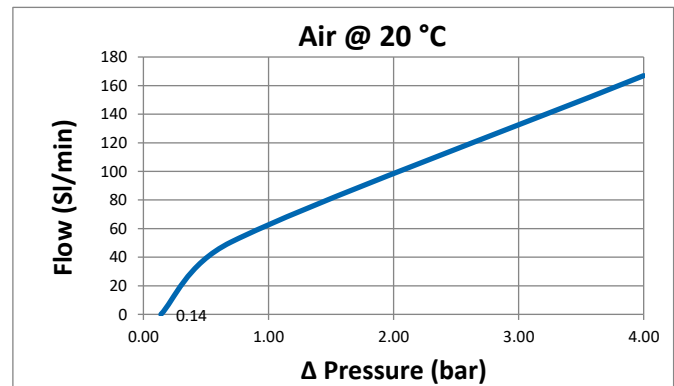
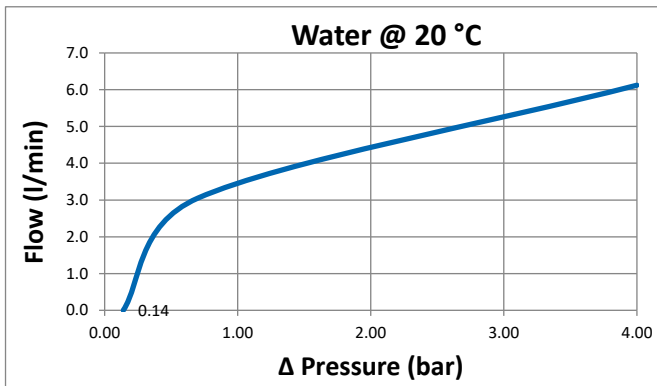
### Installation

- 1 Drill bore hole acc. dimensional drawing above
- 2 Set Flex Check valve into bore hole.
- 3 Push in pin by the indicated distance (L-push-in) with installation tool and table press.



Max. Installation Force	L-push-in (mm)
<15 KN	2.25

### ΔP vs Flow



### Model Code

① Product	F	Flex Check®	
② Direction	R	Reverse	
	F	Forward	
③ Size	nnn	Diameter (1/10 mm)	
④ Seat	-	Standard	
	Z	Zero Leak	
⑤ CP	nnn	Cracking Pressure [1/100 bar]	
⑥ Options	/P	High accuracy CP +/- 10%	
	/L	Reduced Inst. Force	
	/C	Ceramic ball	
	/Rxyz	Restrictor orifice (Diam. 1/10 mm)	
	/S125	Screen 125 mcr	
	/M	MedTech steel (1.4404)	
⑦	SPEZ	Special Design	

FR055Z014 /P/M..SPEZ

### Performance

Cracking Pressure	0.14 bar +/-30%
Leakage	0 sccm/min
Max. Pressure - chck/flow	400/40 bar
Max. Installation Force	<15 KN
Min. Fixation Loading	6 KN
Life Time Cycles	15 mio mio
Weight	4.3 g

### Materials

Body	Stainless Steel
Ball	Stainless Steel
Spring	Stainless Steel



SWISS MADE

Rev. 2020-05