

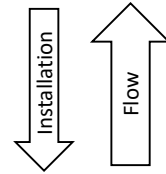
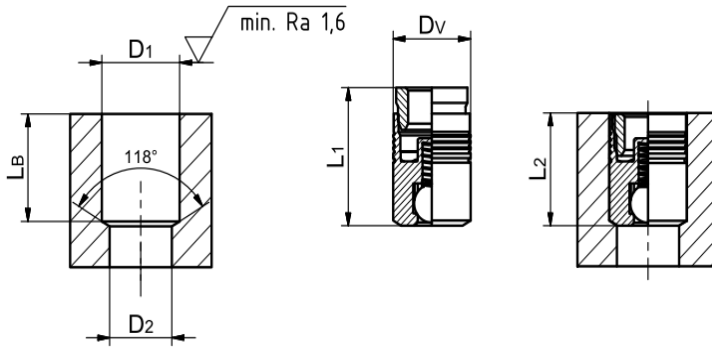


### DATA SHEET REVERSE FLOW CHECK VALVE

### FR080-000



#### Dimensions



#### Bore Hole

		mm
D1	Hole Diameter Down Stream	8.15+/-0.05
D2	Hole Diameter Up Stream	6.6
LB	Min. Hole Length Downstream	10.6

#### Valve

		mm
DV	Valve Diam.	7.97+/-0.02
L1	Length Pin pre-assembled	12.8
L2	Length installed	10.62+/-0.05

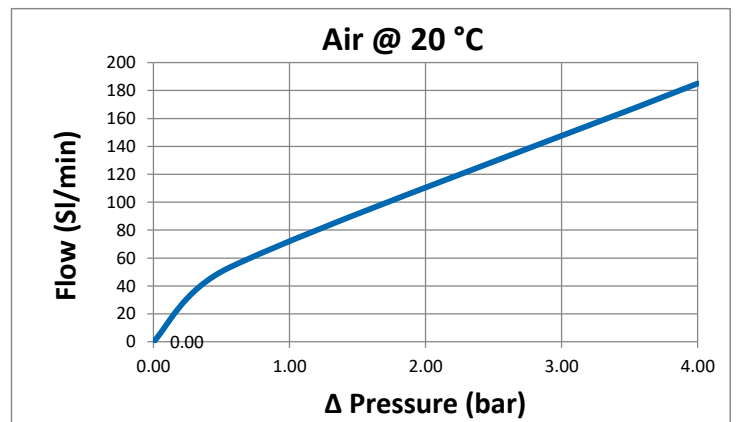
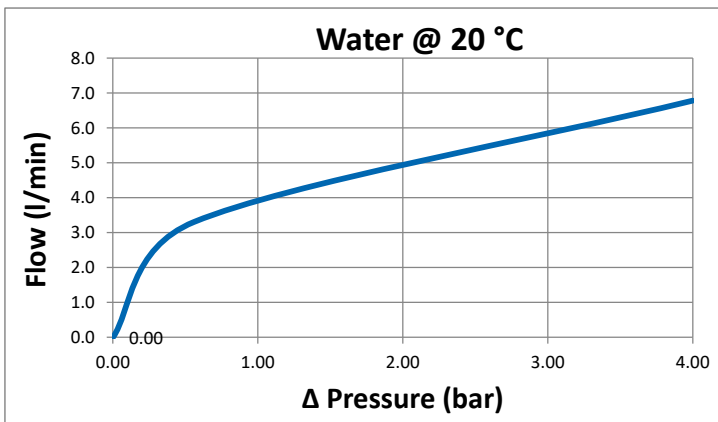
#### Installation

- 1 Drill bore hole acc. dimensional drawing above
- 2 Set Flex Check valve into bore hole.
- 3 Push in pin by the indicated distance (L-push-In) with installation tool and table press.

Max. Installation Force	L-push-in (mm)
<15 KN	2.25



#### ΔP vs Flow



#### Model Code

①	②	③	④	⑤	⑥	⑦
Product	F	Flex Check®				
Direction	R	Reverse				
	F	Forward				
Size	nnn	Diameter (1/10 mm)				
Seat	-	Standard				
	Z	Zero Leak				
CP	nnn	Cracking Pressure [1/100 bar]				
Options	/P	High accuracy CP +/- 10%				
	/L	Reduced Inst. Force				
	/C	Ceramic ball				
	/Rxyz	Restrictor orifice (Diam. 1/10 mm)				
	/S125	Screen 125 mcr				
	/M	MedTech steel (1.4404)				
	SPEZ	Special Design				

**F R 055 Z 014 /P/M... SPEZ**

#### Performance

Cracking Pressure	0 bar +/-30%
Leakage	<20 sccm/min
Max. Pressure - chck/flow	400/40 bar
Max. Installation Force	<15 KN
Min. Fixation Loading	6.34710743801653 KN
Life Time Cycles	15 mio mio
Weight	4.3 g

#### Materials

Body	Stainless Steel
Ball	Stainless Steel
Spring	Stainless Steel

