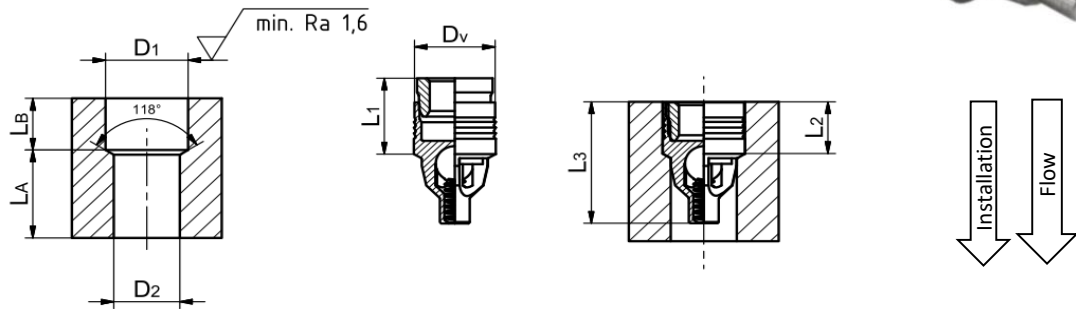




DATA SHEET FORWARD FLOW CHECK VALVE FF055-000



Dimensions



Bore Hole

		mm
D1	Hole Diameter Down Stream	5.6+/-0.05
D2	Hole Diameter Up Stream	4.5
LB	Min. Hole Length Downstream	3.9
La	Min. Hole Length Downstream	4.8

Valve

		mm
DV	Valve Diam.	5.48+/-0.02
L1	Length Pin pre-assembled	5.4
L2	Length installed	3.9+/-0.05
L3	Length installed total	8.7

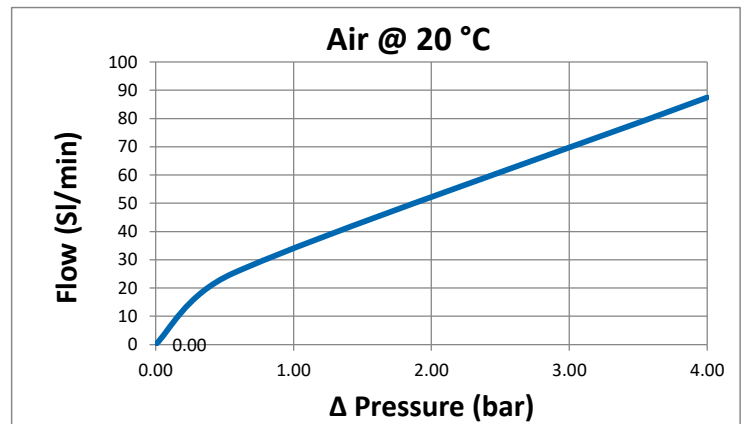
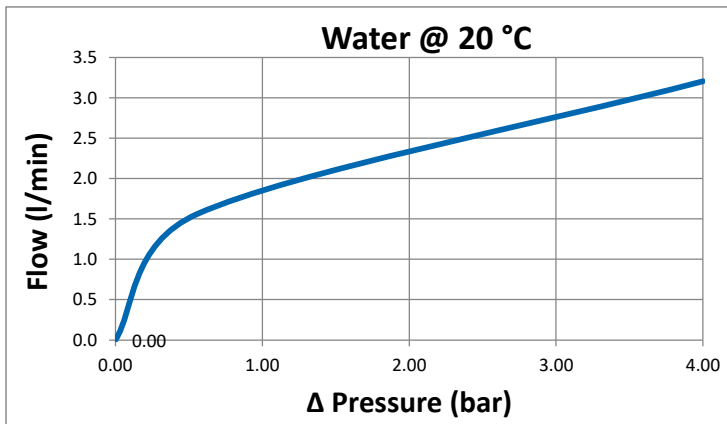
Installation

- 1 Drill bore hole acc. dimensional drawing above
- 2 Set Flex Check valve into bore hole.
- 3 Push in pin by the indicated distance (L-push-in) with installation tool and table press.

Max. Installation Force	L-push-in (mm)
<7 KN	1.55



ΔP vs Flow



Model Code

			①	②	③	④	⑤	⑥	⑦
① Product	F	Flex Check®							
② Direction	R	Reverse							
	F	Forward							
③ Size	nnn	Diameter (1/10 mm)							
④ Seat	-	Standard							
	Z	Zero Leak							
⑤ CP	nnn	Cracking Pressure [1/100 bar]							
⑥ Options	/P	High accuracy CP +/- 10%							
	/L	Reduced Inst. Force							
	/C	Ceramic ball							
	/Rxyz	Restrictor orifice (Diam. 1/10 mm)							
	/S125	Screen 125 mcr							
	/M	MedTech steel (1.4404)							
⑦	SPEZ	Special Design							

F R 055 Z 014 /P/M.. SPEZ

Performance

Cracking Pressure	0 bar +/-30%
Leakage	<20 sccm/min
Max. Pressure - chck/flow	400/40 bar
Max. Installation Force	<7 KN
Min. Fixation Loading	3 KN
Life Time Cycles	15 mio mio
Weight	1.4 g

Materials

Body	Stainless Steel
Ball	Stainless Steel
Spring	Stainless Steel



SWISS MADE