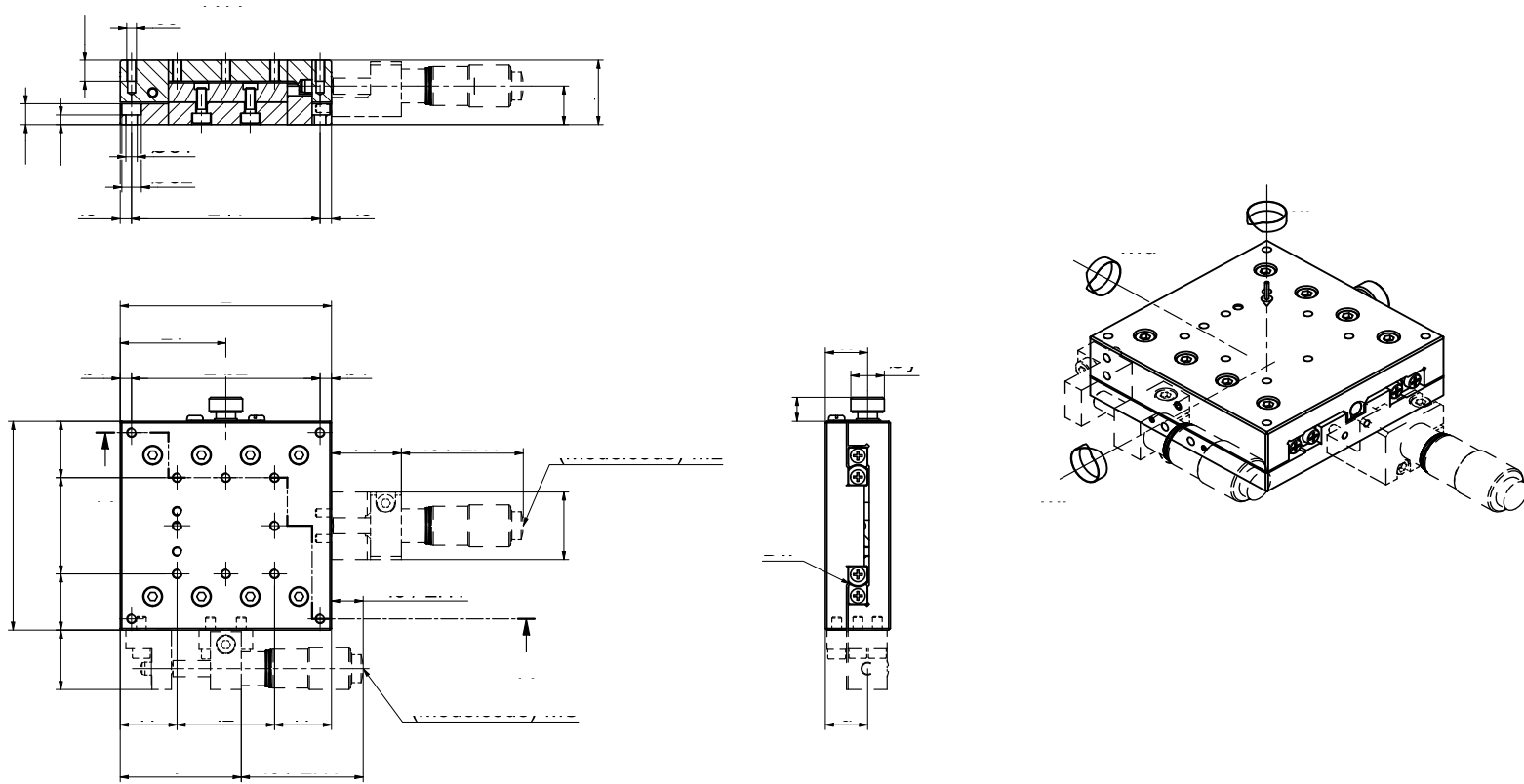


## NH2 - Micro-Positioniertische / Micro Positioning Stages



Modelcode	A (mm)	B (mm)	H (mm)	H1 (mm)	Dw (mm)	L (mm)	I1 (mm)	I2 (mm)	I3 (mm)	I4 (mm)	I5 (mm)	I6 (mm)	F (mm)	F1 (mm)	b1 (mm)	b2 (mm)	h (mm)	h1 (mm)	e1 (mm)	e2 (mm)	e3	e4 (mm)	u (mm)	v (mm)	x (mm)	y (mm)	z (mm)	z1 (mm)	C (N)	Md (Nm)	Ml / Mr (Nm)	Gewicht weight (kg)
<b>NH2-40/40-AL</b>	19	40	± 6.5	± 6.5	R2	40	-	-	4	32	37.5	37.5	39.5	21.5	4	32	6	2.5	3.5	6	M3	6	11	10	13	10.3	7.5	20	2.7	3.9	2.7	0.2
<b>NH2-65/65-AL</b>	20	65	± 6.5	± 6.5	R2	65	17.5	2 x 15	3.5	58	37.5	9.75	37.25	21.5	3.5	58	6.5	3	3.5	6	M3	6	13	12	13	10.3	7.5	32.5	7.5	13.5	7.5	0.4
<b>NH2-110/110-AL</b>	25	110	± 20	± 12.5	R2	110	25	2 x 30	6	98	80.4	16.4	46	30.5	6	98	8	3.5	4.5	7.5	M4	8	15	13	16	15.3	9.8	55	12.9	43.5	12.9	1.7

Version: DEZ2019