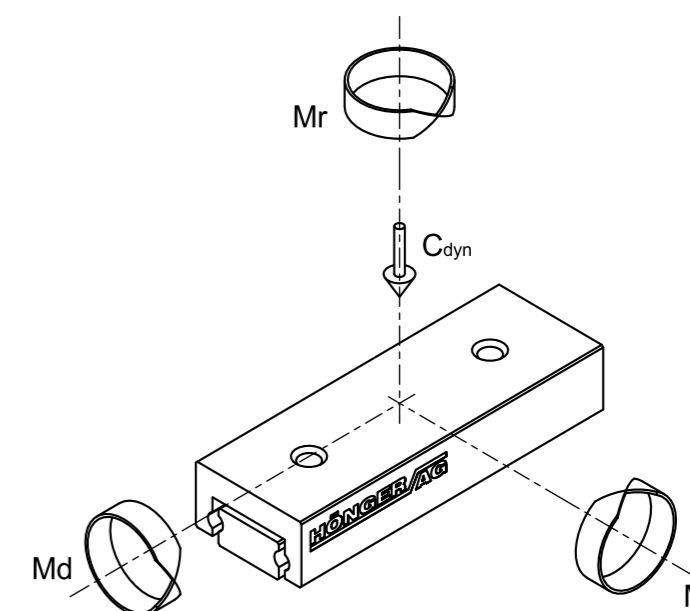
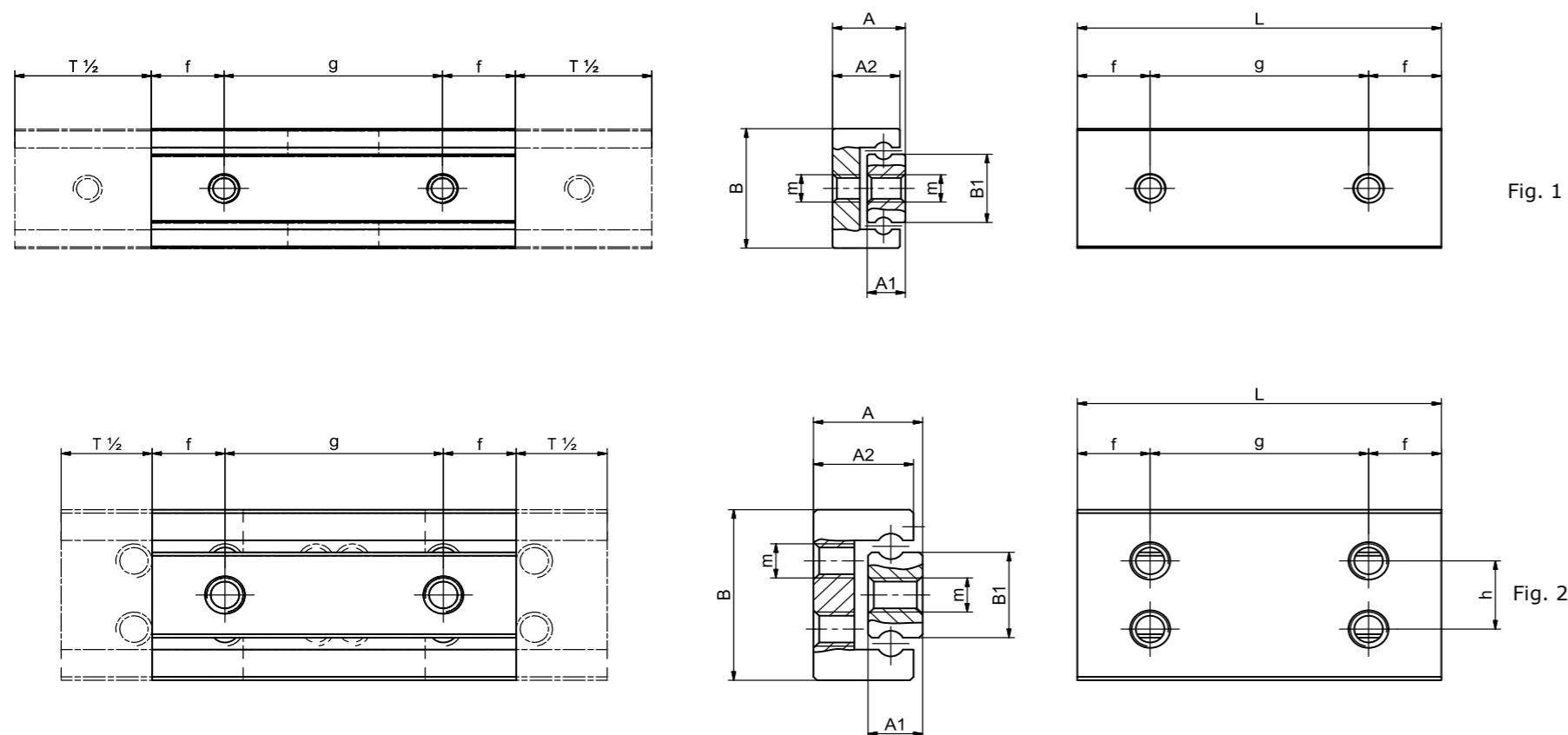


NDN - Micro-Rolltische mit Kugeln / NDN - Micro Precision Linear Slide (Balls)



Modelcode	A	B	L	T	B1	A1	A2	f	g	h	m	C _{dyn} (N)	Md (Ncm)	MI (Ncm)	Mr (Ncm)	Gewicht / weight (g)	Fig.
NDN 05-10.05	4	7	10	5	4	2.1	3.6	2.5	1 x 5	-	M1.6	23	3	1.5	1.5	2	1
NDN 05-15.10			15	10				3.5	1 x 8			27	3.6	2.2	2.2	3	
NDN 05-20.15			20	15				4	1 x 12			36	4.8	2.8	2.8	4	
NDN 05-25.20			25	20				4.5	1 x 16			45	6	3.5	3.5	5	
NDN 1-15.05	6	10	15	5	5	3	5.5	3.5	1 x 8	4	M2	50	14	9	9	5	2
NDN 1-20.10			20	10				4	1 x 12			60	17	11	11	7	
NDN 1-25.15			25	15				4.5	1 x 16			70	20	14	14	10	
NDN 1-30.20			30	20				5	1 x 20			80	23	16	16	12	
NDN 1-35.25			35	25				5.5	1 x 24			90	26	19	19	14	
NDN 1-40.30			40	30				6	1 x 28			100	28	21	21	17	
NDN 1-45.35			45	35				6.5	1 x 32			110	31	24	24	19	
NDN 1-50.40			50	40				7	1 x 36			120	34	26	26	21	
NDN 2-30.20	8	15	30	20	8	4.5	7.5	5	1 x 20	7	M2.5	140	55	40	40	28	2
NDN 2-40.30			40	30				6	1 x 28			170	65	50	50	36	
NDN 2-50.40			50	40				7	1 x 36			200	75	60	60	45	
NDN 2-60.50			60	50				7.5	3 x 15			250	100	80	80	54	
NDN 2-70.60			70	60				8	3 x 18			310	120	100	100	64	
NDN 2-80.70			80	70				10	3 x 20			370	140	120	120	73	

Version: DEZ2019