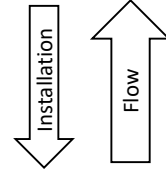
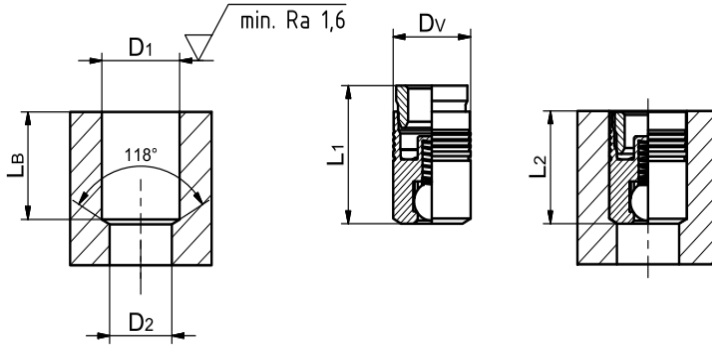




DATA SHEET REVERSE FLOW CHECK VALVE FR055-014



Dimensions



Bore Hole

		mm
D1	Hole Diameter Down Stream	5.6+/-0.05
D2	Hole Diameter Up Stream	4.5
LB	Min. Hole Length Downstream	7.3

Valve

		mm
DV	Valve Diam.	5.48+/-0.02
L1	Length Pin pre-assembled	8.8
L2	Length installed	7.3+/-0.05

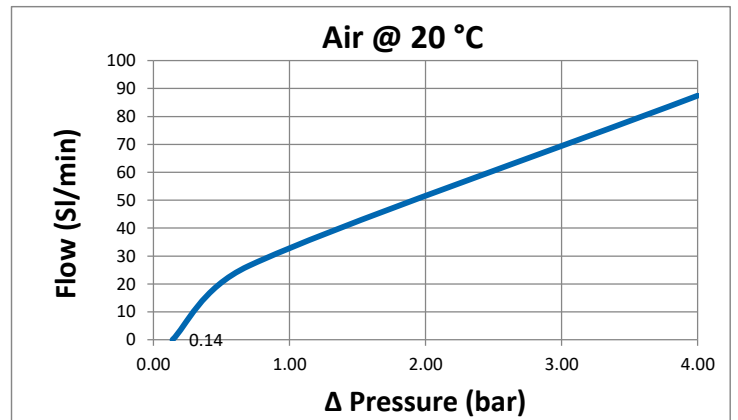
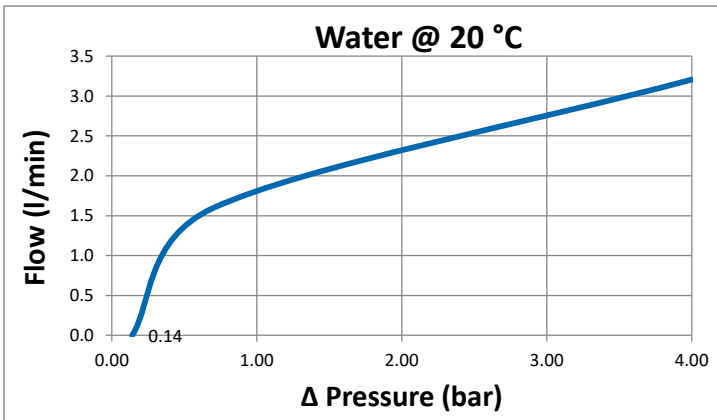
Installation

- 1 Drill bore hole acc. dimensional drawing above
- 2 Set Flex Check valve into bore hole.
- 3 Push in pin by the indicated distance (L-push-In) with installation tool and table press.

Max. Installation Force	L-push-in (mm)
<7 KN	1.55



ΔP vs Flow



Model Code

	①	②	③	④	⑤	⑥	⑦
Product	F	R	nnn	-	nnn	/P	SPEZ
Direction	Flex Check®	Reverse	Diameter (1/10 mm)	Standard	Cracking Pressure [1/100 bar]	High accuracy CP +/- 10%	Special Design
		Forward		Zero Leak		Reduced Inst. Force	
Size						Ceramic ball	
Seat						Restrictor orifice (Diam. 1/10 mm)	
						Screen 125 mcr	
CP						MedTech steel (1.4404)	
Options							

Performance

Cracking Pressure	0.14 bar +/-30%
Leakage	<20 sccm/min
Max. Pressure - chck/flow	400/40 bar
Max. Installation Force	<7 KN
Min. Fixation Loading	3 KN
Life Time Cycles	15 mio mio
Weight	1.4 g

Materials

Body	Stainless Steel
Ball	Stainless Steel
Spring	Stainless Steel

