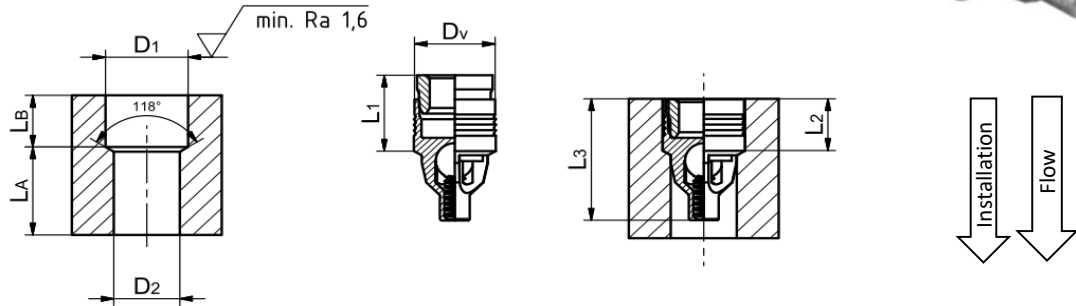




### DATA SHEET FORWARD FLOW CHECK VALVE FF055Z040



#### Dimensions



Bore Hole		mm
D1	Hole Diameter Down Stream	5.6+/-0.05
D2	Hole Diameter Up Stream	4.5
LB	Min. Hole Length Downstream	3.9
La	Min. Hole Length Downstream	4.8

Valve		mm
Dv	Valve Diam.	5.48+/-0.02
L1	Length Pin pre-assembled	5.4
L2	Length installed	3.9+/-0.05
L3	Length installed total	8.7

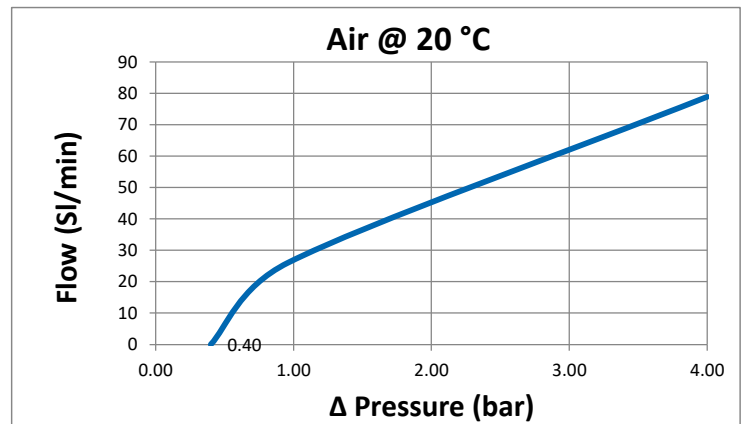
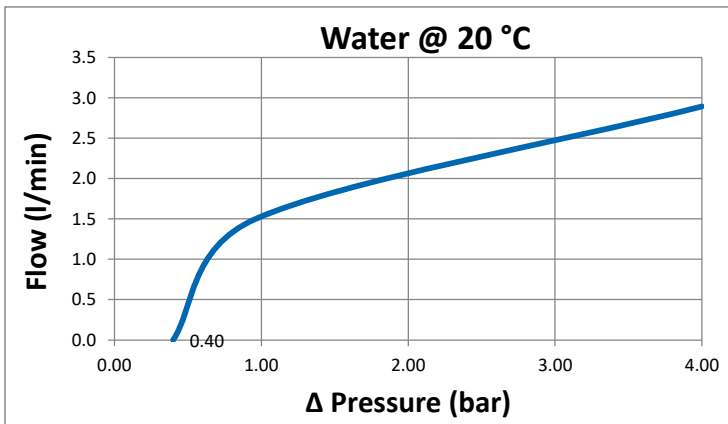
#### Installation

- 1 Drill bore hole acc. dimensional drawing above
- 2 Set Flex Check valve into bore hole.
- 3 Push in pin by the indicated distance (L-push-in) with installation tool and table press.

Max. Installation Force	L-push-in (mm)
<7 KN	1.55



#### ΔP vs Flow



#### Model Code

Code	Description	Value
① Product	F Flex Check®	F
② Direction	R Reverse F Forward	R
③ Size	nnn Diameter (1/10 mm)	nnn
④ Seat	- Standard Z Zero Leak	Z
⑤ CP	nnn Cracking Pressure [1/100 bar]	nnn
⑥ Options	/P High accuracy CP +/- 10% /L Reduced Inst. Force /C Ceramic ball /Rxyz Restrictor orifice (Diam. 1/10 mm) /S125 Screen 125 mcr /M MedTech steel (1.4404)	/P/M..SPEZ
⑦	SPEZ Special Design	SPEZ

#### Performance

Cracking Pressure	0.4 bar +/-30%
Leakage	<20 sccm/min
Max. Pressure - chck/flow	400/40 bar
Max. Installation Force	<7 KN
Min. Fixation Loading	3 KN
Life Time Cycles	15 mio mio
Weight	1.4 g

#### Materials

Body	Stainless Steel
Ball	Stainless Steel
Spring	Stainless Steel



SWISS MADE