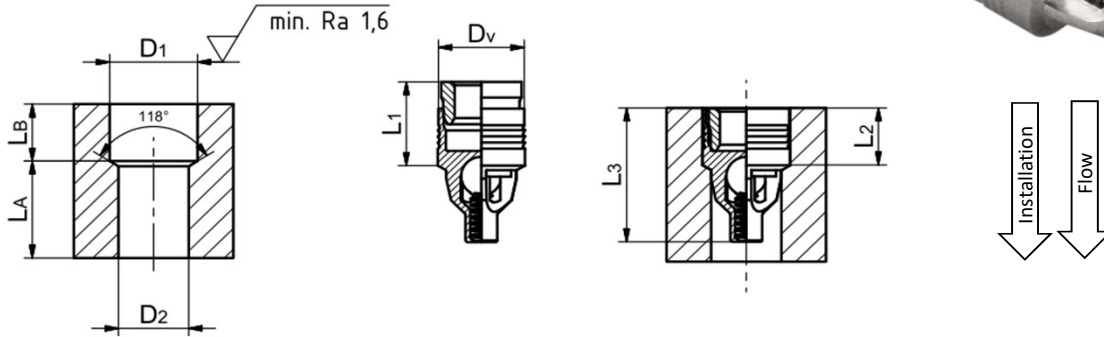


# FLEX CHECK® - High Performance Insert Check Valve

## DATA SHEET FORWARD FLOW CHECK VALVE FF080Z-014



### Dimensions



#### Bore Hole

		mm
D1	Hole Diameter Down Stream	8.15+/-0.05
D2	Hole Diameter Up Stream	6.6
Lb	Min. Hole Length Upstream	5.7
La	Min. Hole Length Downstream	7.0

#### Valve

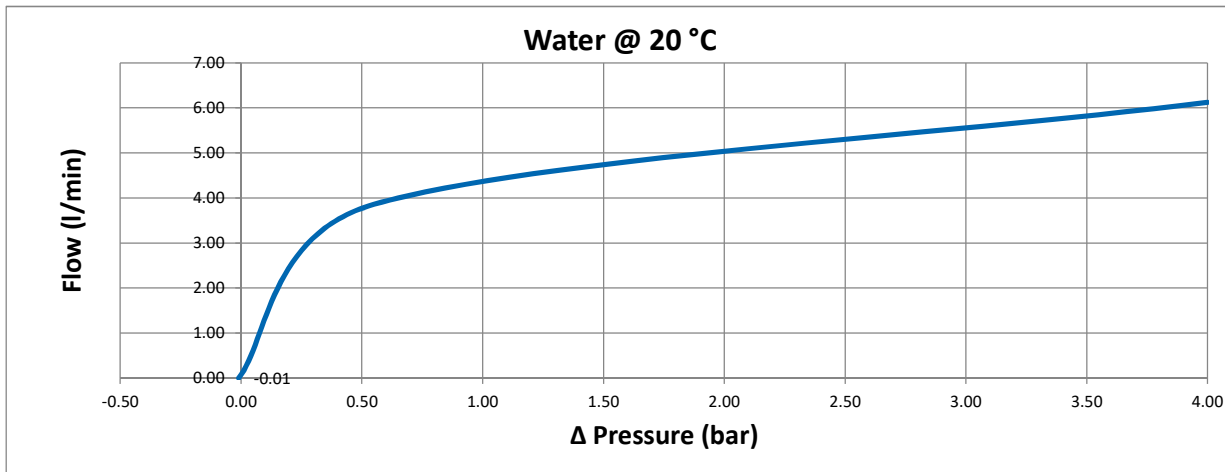
		mm
Dv	Valve Diam.	7.97+/-0.02
L1	Length Pin pre-assembled	7.9
L2	Length installed Upstream	5.67+/-0.05
L3	Length installed total	12.7

### Installation

- 1 Drill bore hole according dimensional drawing above
- 2 Set Flex Check Valve into bore hole.
- 3 Push in Pin by the indicated distance (L-Push-In) with Installation Toll and appropriate table press.

Max. Installation Force		L-Push-in (mm)
#NV	KN	2.3

### Performance



Cracking Pressure	bar	-0.01 +/-30%
Leakage	sccm/min	0.0
Working Pressure - checked/flow	bar	400/40
Max. Installation Force	KN	<15
Min. Fixation Loading	KN	6.3
Life Time Cycles	cycles	15 mio
Weight	g	4.3

### Materials

Body	Stainless Steel
Ball	Stainless Steel
Spring	Stainless Steel

### Available Options

/Rxyz	Restrictor Orifice (xyz=Diameter in 1/10 mm)
/S125	125 mcr Screen
/C	Ceramic Ball
/H	High Flow Option
/P	High Accuracy Cracking Pressure +/- 10%
/Z	Zero Leak Type
/L	Light Version with reduced Inst. Force